




13

Connect the power supply cord from the concentrator and plug into an electrical outlet. Do Not Power On the concentrator.



14

Press and hold the plus button for ten seconds. Flow indicators 1, 3 & 5 will be illuminated and columns will be reset. Release the plus button. Press the power button  to turn on the concentrator and use normally.

Your Equipment Provider:

Your Physician:



326 Bolly Drive,
Goleta, CA 93117
1-877-4-INOGEN (Toll Free)
1-877-446-6436 (Toll Free)
1-805-562-0515 (International)
info@inogen.net
www.inogen.com

96-05438-00-01 A

INOGEN *at* HOME™ Column Change Procedure

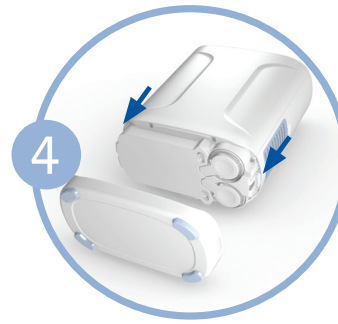


There are two columns (metal tubes) in the concentrator located behind the particle filter. These two columns will be removed and replaced when service is required. Ensure adequate time is allowed to complete all steps without disruption is allotted when performing this maintenance.

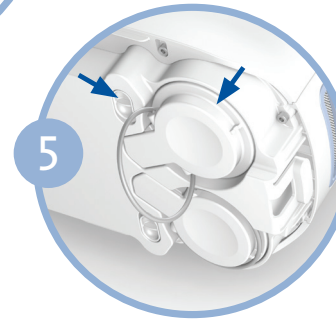
- 1 Turn the concentrator off by pressing the power button to shut down the device.
- 2 Unplug the concentrator from the electrical outlet.



3 Lay the concentrator down on its side.



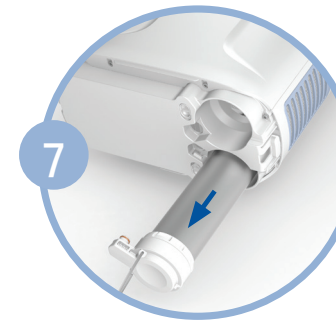
4 Press the two latch buttons on the sides of the device to remove the cover from the bottom of the concentrator in order to access the two columns.



5 Press the latch button with thumb or finger and pull the column out of the concentrator using the pull ring attached to the bottom of the column cap.

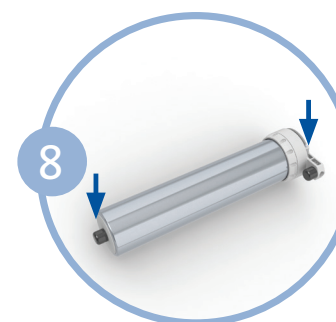


6 Remove the column completely from the concentrator.



7 Repeat steps 5-6 to remove the other column.

INSTALLATION OF THE NEW COLUMNS (METAL TUBES):



8 Remove the upper and lower dust caps from each column. There should be a total of two dust caps removed from each column. Make sure there is no dust or debris where the dust caps were located.

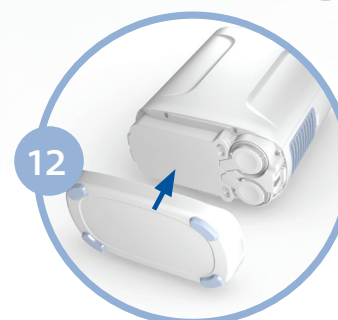


9 Insert the new column into the concentrator. Do not leave the column exposed after the dust caps are removed; it should be inserted into the concentrator immediately to minimize environmental exposure.



10 The spring loaded latch button should fully return to the closed position when the column is completely inserted.

11 Repeat steps 9-10 to install the other column.



12 Replace the lower cover and return the concentrator to its upright position.

NOTE Column change instructions are only to be used when maintenance is required and are not intended for practice purpose.